

# REFLEX™ ROLL

## → INTRODUCTION

>To answer the growing demand for a product to deliver the ultimate in solar protection and light control, **REFLEX™** has developed the **REFLEX™ ROLL** range of cassette roller blinds in two sizes and a great variety of options to adapt to the demands of both external solar protection applications and internal “blackout” style audio visual quality light control applications. As with most **REFLEX™** products, the **REFLEX™ ROLL** cassettes allow the joining of several blinds to the one motor, both in straight lines or through angles of up to 45 degrees from straight, thus decreasing the perceived costs associated with motorisation.

## APPLICATION

>The popular applications for this system are two fold. Firstly, integration into building facades for the ultimate control of heat and glare by protecting the glass from the outside against solar extremes, together with fully automatic controls, will deliver a complete solar control system. The cassette would ideally be installed close to the glazing and with the inclusion of stainless steel side guide wires, and the incorporation of sun, wind and timing controls, this system will exceed all expectations for aesthetics and solar control.

Secondly, the system can be integrated into the lighting control system for internal applications such as meeting rooms, theatres, laboratories and other areas requiring room darkening to varying degrees.

## SPECIFICATIONS

>The most appealing feature of the **REFLEX™ ROLL** system is the range of options. The **REFLEX™ ROLL** system has options of three or four sided roller coverage (when the back of the roller will be visible) and a versatile, nylon plate mounting system allowing face, top or side fixing. The incorporation of side guiding systems utilising either the 3.2 mm stainless steel wire, or one of the powder coated, aluminium side guide channels - 40 x 25 mm plain for external applications or 40 x 25 mm light sealing side rails, all with easy mounting capabilities.

Employment of the stainless steel side guide wires (attached to the mounting plates at the top and to the substrate at the lower extension point) enables safe, external fitting where wind could otherwise prohibit the use of normal roller blinds and the fitting of standard awnings is not acceptable.

The side guide wires/channels can also be employed to allow blinds to be installed in sloping glass wall situations with the addition of extra weighted hem rails.

The **REFLEX™ ROLL** system also includes the **RS8 & RS10** models of skylight blind, intended for use in applications calling for horizontal operation where both ends of the blind have rollers within cassettes, with the inclusion of a spring tension system in the second housing, to create a full tension system for the fabric element.

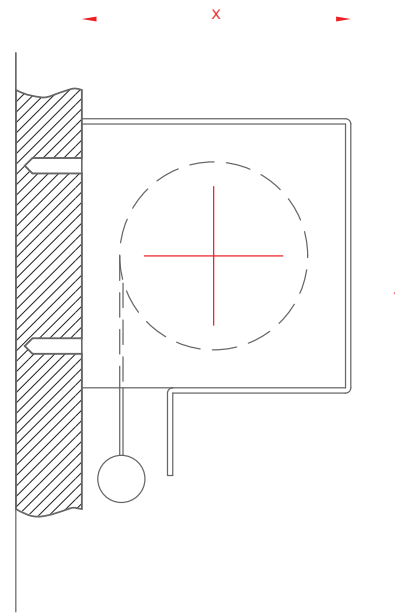
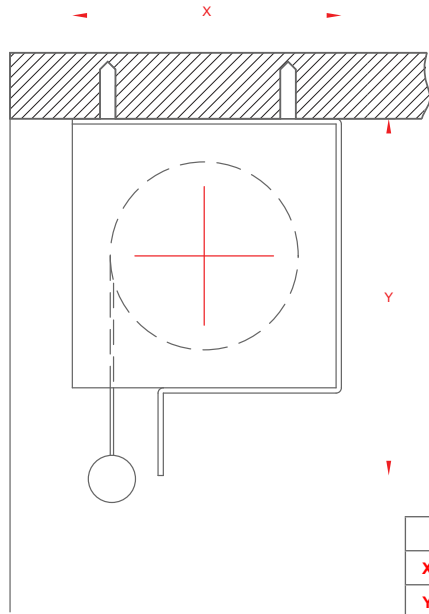
All covers are powder coated or anodised 1.6 mm aluminium and the rollers are high tensile 6106 aluminium of 60 mm diameter (**R8**) & 80 mm diameter (**R10**) and are all natural anodised for strength and durability.

All internal and external components are completely weather proof being aluminium, nylon or stainless steel.

The **REFLEX™ ROLL** system can support the many screen, solid or sheer fabric elements currently available in the market remembering that the skylight series should only use those fabrics with a suitable mechanical strength to withstand the tension loads.

Minimum Width	=	350 mm
Maximum Width	=	3,600 mm
Minimum Drop	=	300 mm
Maximum Drop	=	4,000 mm

# REFLEX™ ROLL

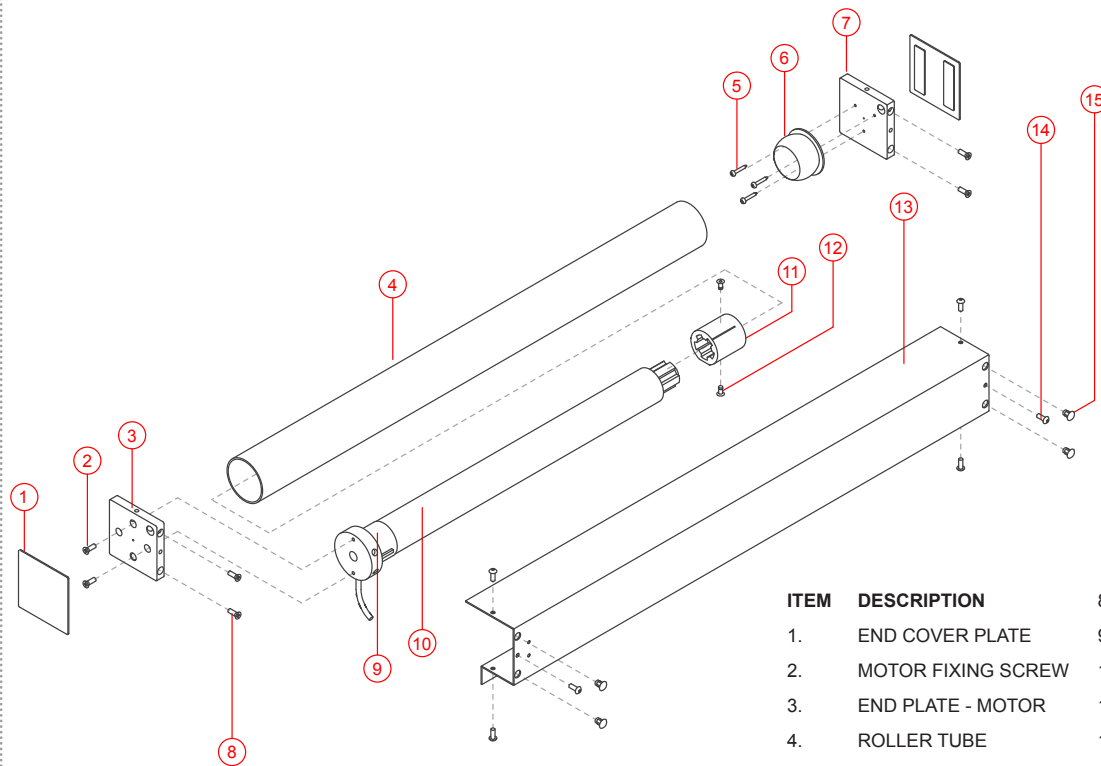


	R8	R10
X =	82	102
Y =	109	129

TOP FIX ARRANGEMENT

FACE FIX ARRANGEMENT

## REFLEX™ ROLL EXPLODED



ITEM	DESCRIPTION		
1.	END COVER PLATE	8.	PLATE MOUNTING SCREW
2.	MOTOR FIXING SCREW	9.	MOTOR CROWN
3.	END PLATE - MOTOR	10.	MOTOR
4.	ROLLER TUBE	11.	MOTOR WHEEL
5.	BEARING SCREW	12.	RIVET
6.	BEARING	13.	SINGLE COVER
7.	END PLATE - TAIL	14.	COVER MOUNTING SCREW
		15.	HOLE PLUG